

# Technics®

## Stereo Cartridge

Operating Instructions

Model No. **EPC-U1200**

Before connecting, operating or adjusting this product, please read the instructions completely.

Please keep this manual for future reference.

**E** **P**

### For Europe

**Matsushita Electric Industrial Co., Ltd.**

Web Site : <http://>

[www.panasonic.co.jp/global/](http://www.panasonic.co.jp/global/)

### For U.S.A.

**Panasonic Consumer Electronics Company, Division of Panasonic Corporation of North America**

One Panasonic Way Secaucus, New Jersey 07094

<http://www.panasonic.com>

**Panasonic Puerto Rico, Inc.**

Ave. 65 de Infantería, Km. 9.5 San Gabriel Industrial Park, Carolina, Puerto Rico 00985

(En)

© 2000 Matsushita Electric Industrial Co., Ltd.

Printed in Japan

RQT5726-1E

M1200TK1055



## Dear customer

Thank you for purchasing this product.

For optimum performance and safety, please read these instructions carefully.

### (Only for U.S.A.)

User memo:

DATE OF PURCHASE	_____
DEALER NAME	_____
DEALER ADDRESS	_____
TELEPHONE NUMBER	_____

## Supplied accessories



Please check and identify the supplied accessories.

### (Only for U.S.A.)

Use numbers indicated in parentheses when asking for replacements parts.

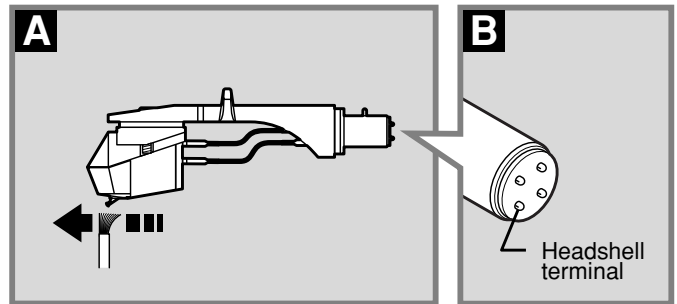
**To order accessories contact 1-800-332-5368 or web site (<http://www.pasc.panasonic.com>).**

- Head shell weight (RMJ0011) ..... 1
- Mounting screws (RHD26036) ..... 2
- Stylus cover (RMJ0010) ..... 1

## Features

### Designed for scratch play.

- Moving magnet (MM) type for high output and high quality sound.
- Easily attached to Technics headshells.



## Please Note

### ● Treat the stylus with care.

The stylus is a delicate instrument for picking up sounds from the grooves on records. The only surface it should touch is a record.

- Do not move the tip of the stylus.
- Do not allow it to catch on anything.
- Do not allow the stylus to touch hard surfaces.
- Attach the stylus cover when you have finished play.

### ● Remove dust from the record and stylus regularly. **A**

Take the headshell off the tone arm and, using a soft-tipped brush, carefully remove the dust with a brushing movement toward the point of the stylus.

### ● Wipe the headshell terminal occasionally. **B**

Dust or fluff on the terminal can cause the connection to be incomplete. Wipe it with a soft cloth and put the headshell back on the tone arm.

### ● SP records (78 r/min) cannot be played.

Use a cartridge designed for SP records.

## Product service (Only for U.S.A.)

1. **Damage requiring service**—The unit should be serviced by qualified service personnel if:
  - (a) The AC power supply cord or the plug has been damaged; or
  - (b) Objects or liquids have gotten into the unit; or
  - (c) The unit has been exposed to rain; or
  - (d) The unit does not operate normally or exhibits a marked change in performance; or
  - (e) The unit has been dropped or the cabinet damaged.
2. **Servicing**—Do not attempt to service the unit beyond that described in these operating instructions. Refer all other servicing to authorized servicing personnel.
3. **Replacement parts**—When parts need replacing ensure the servicer uses parts specified by the manufacturer or parts that have the same characteristics as the original parts. Unauthorized substitutes may result in fire, electric shock, or other hazards.
4. **Safety check**—After repairs or service, ask the servicer to perform safety checks to confirm that the unit is in proper working condition.

## Product information

For product information or assistance with product operation:

**In the U.S.A., contact 1-800-211-7262, or web site (<http://www.panasonic.com/consumersupport>).**

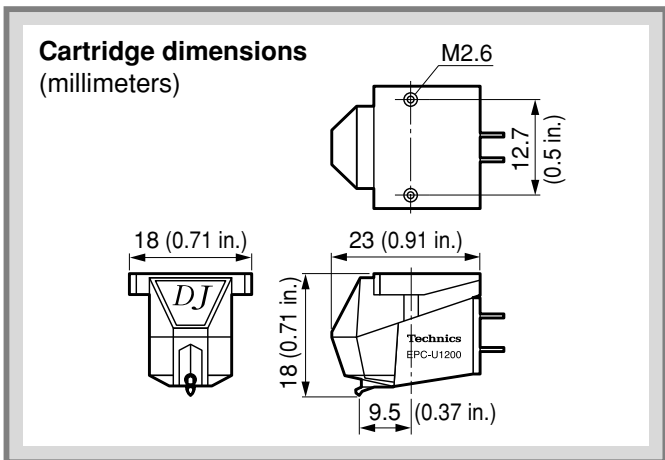
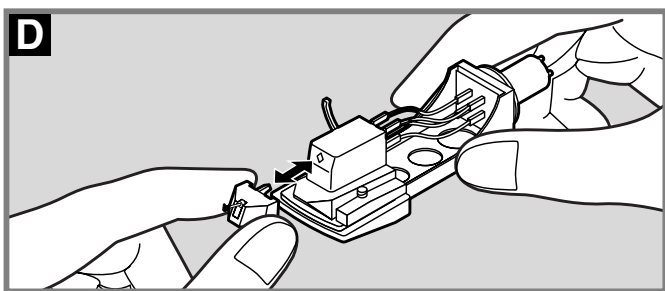
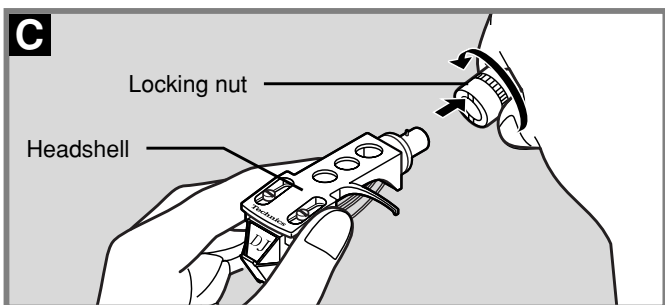
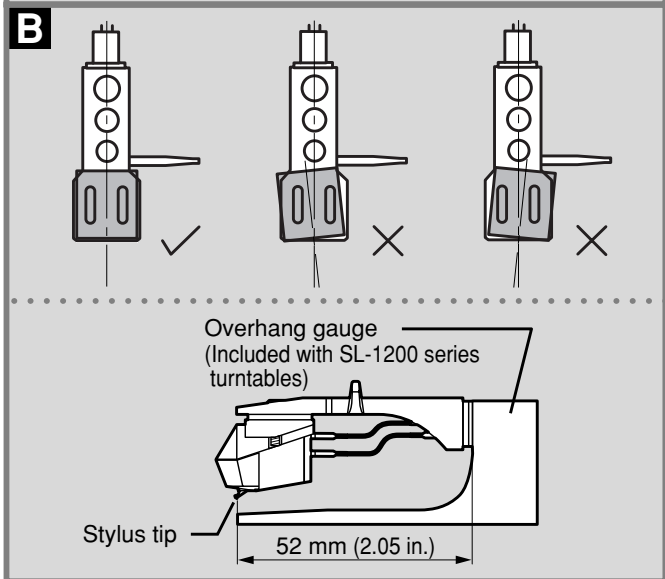
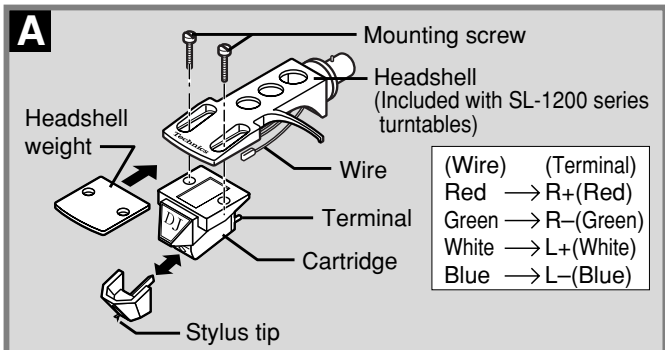
## Specifications

Type	Moving magnet stereo cartridge
Stylus point	0.6 mil (Conical diamond)
Output voltage	6 mV (1 kHz, 3.54 cm/s)
Frequency response	10 Hz – 20 kHz
Channel separation	20 dB (1 kHz)
Channel balance	1.5 dB (1 kHz)
Compliance	4 x 10 <sup>-6</sup> cm/dyne (100 Hz)
Optimum stylus pressure	2 g
Recommended load resistance	47 – 100 KΩ
Mass	5.3 g (0.19 oz.)
Replacement stylus part no.	EPS-1200CS

### Note

Specifications are subject to change without notice.

Mass and dimensions are approximate.



## Attaching the cartridge

( e.g., when using with SL-1200 series turntables )

**1 Use the screws to attach the included headshell weight and cartridge to your headshell. **A****

- Remove the stylus (with the stylus cover attached) from the cartridge to protect the stylus tip.
- Connect the headshell's wires to the cartridge's terminals, following the color or symbol coding.
- Reinsert the stylus (with the stylus cover attached) after attaching the cartridge.

Ensure the stylus is firmly in place.

**2 Adjust the facing and overhang. **B****

- Change the facing of the cartridge so it is straight on the headshell.
- Adjust the overhang so the stylus tip is 52 mm from the plug.

Use the overhang gauge included with SL-1200 series turntables to adjust the correct 15-mm overhang for this series.

- If the cartridge is fitted to a different kind of tone arm or player, consult the appropriate manual for adjustment instructions.

**3 Tighten the screws firmly.**

## Method of use

**1 Insert the headshell into the end of the tone arm and fasten the locking nut. **C****

**2 Adjust the stylus pressure.**

The optimum stylus pressure for this stylus is 2 grams.

Set the horizontal balance of the tone arm to zero (0), then set the stylus pressure to the correct value.

- Sound is distorted or the stylus jumps if the recording level on the record is high or if the player is used in a cold room. Increase the stylus pressure if this occurs.
- Increase the stylus pressure for scratch play if the stylus jumps.
- Overly increasing the stylus pressure can cause the cartridge body to touch the record. Reduce stylus pressure if this occurs.

## Replacing the stylus **D**

Replace the stylus with part no. EPS-1200CS when necessary.

- Replace the stylus after about 500 hours of use.

**1 Remove the stylus from the cartridge.**

**2 Insert the new stylus (with the stylus cover attached) into the cartridge.**

Ensure the stylus is firmly in place.